

Polyphase power systems

This worksheet and all related files are licensed under the Creative Commons Attribution License, version 1.0. To view a copy of this license, visit <http://creativecommons.org/licenses/by/1.0/>, or send a letter to Creative Commons, 559 Nathan Abbott Way, Stanford, California 94305, USA. The terms and conditions of this license allow for free copying, distribution, and/or modification of all licensed works by the general public.

Resources and methods for learning about these subjects (list a few here, in preparation for your research):

Questions

Question 1

What is *polyphase* electric power, and how does it differ from *single-phase* power?

[file 02197](#)

Question 2

All large electric power generating systems in the world today produce *three phase* power, rather than single phase power. Explain why this is so, in terms of advantages of distribution and use.

[file 01888](#)

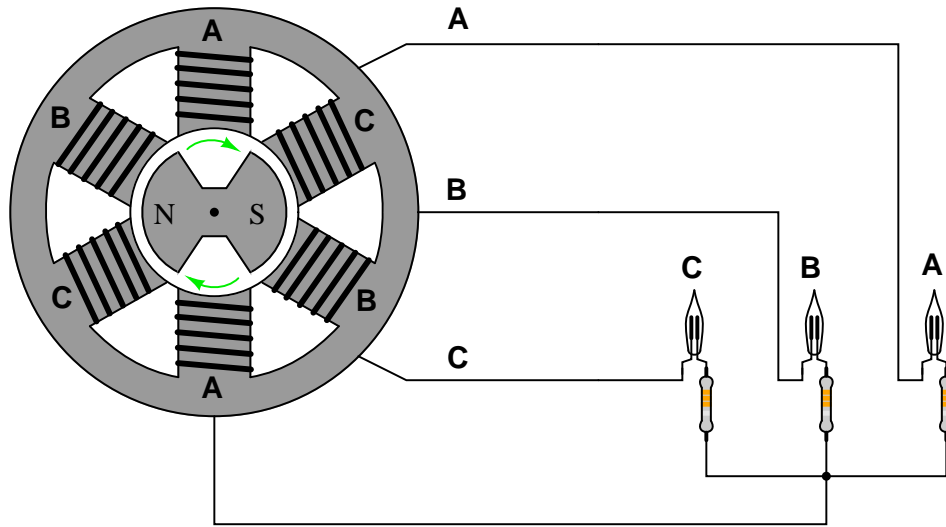
Question 3

How is polyphase (especially three-phase) electric power generated? Single-phase power is easy to understand, but how do we create three-phase AC voltage?

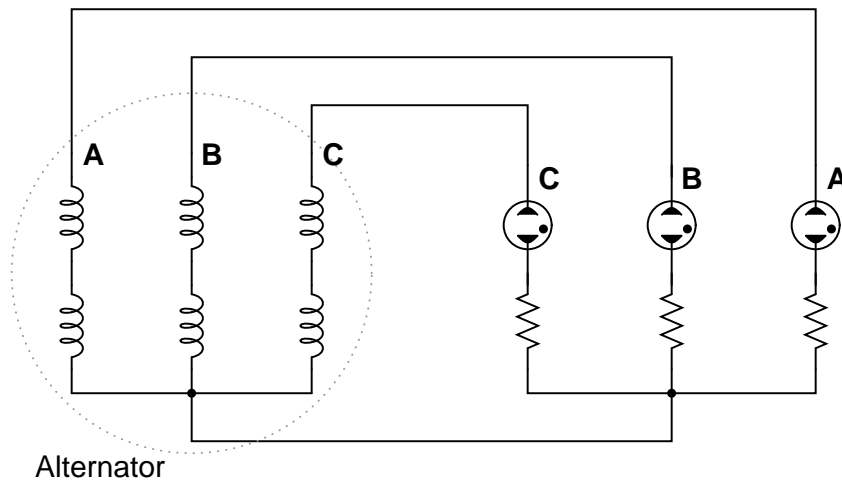
[file 00416](#)

Question 4

Suppose a set of three neon light bulbs were connected to an alternator with three sets of windings labeled **A**, **B**, and **C**:



The schematic diagram for this alternator/lamp system is as follows:



If the alternator spins fast enough (clockwise, as shown), the AC voltage induced in its windings will be enough to cause the neon lamps to "blink" (neon bulbs have very fast reaction times and thus cannot maintain a glow for very long without current, unlike incandescent lamps which operate on the principle of a glowing-hot metal filament). Most likely this blinking will be too fast to discern with the naked eye.

However, if we were to videorecord the blinking and play back the recording at a slow speed, we should be able to see the sequence of light flashes. Determine the apparent "direction" of the lamps' blinking (from right-to-left or from left-to-right), and relate that sequence to the voltage peaks of each alternator coil pair.

[file 02198](#)

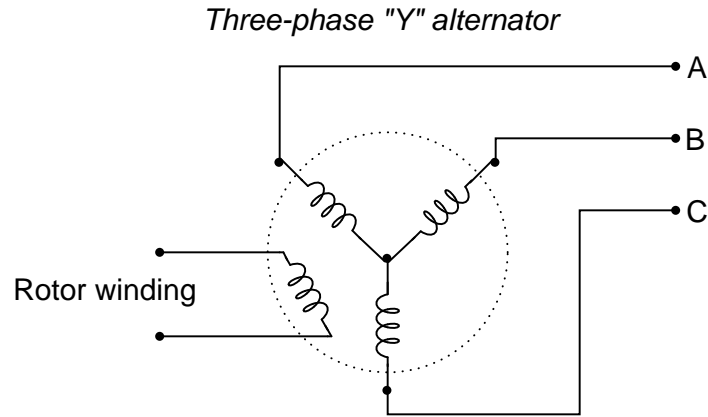
Question 5

What is meant by the term *phase rotation sequence*, in a polyphase electrical system?

[file 00417](#)

Question 6

This is a schematic diagram of a *Y-connected* three-phase generator (with the rotor winding shown):

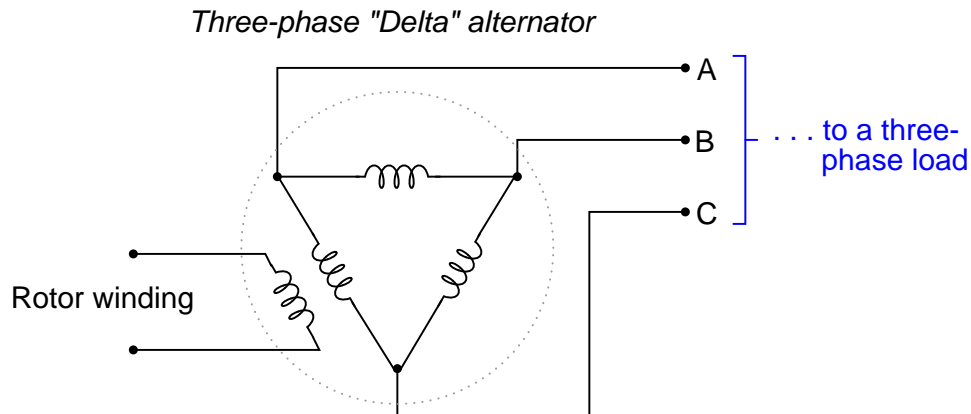


How much AC voltage will appear between any two of the lines (V_{AB} , V_{BC} , or V_{AC}) if each stator coil inside the alternator outputs 277 volts? Draw a phasor diagram showing how the phase (winding) and line voltages relate.

[file 02199](#)

Question 7

This is a schematic diagram of a *Delta-connected* three-phase generator (with the rotor winding shown):



How much AC current will each of the lines (I_A , I_B , or I_C) conduct to a load (not shown) if each stator coil inside the alternator outputs 17 amps of current?

[file 02200](#)

Question 8

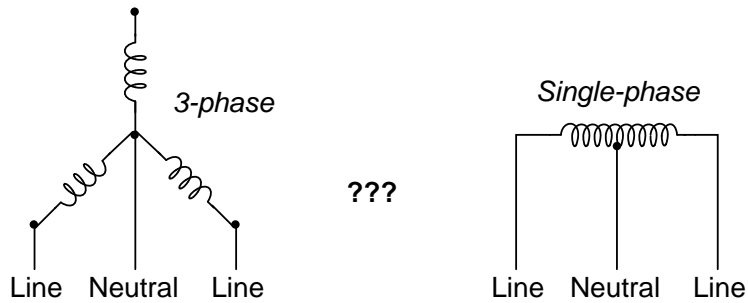
Suppose the electrical power supplied to a commercial building is labeled as "208/120 volt". What does this label mean, exactly? Relate this description to a schematic diagram.

[file 00420](#)

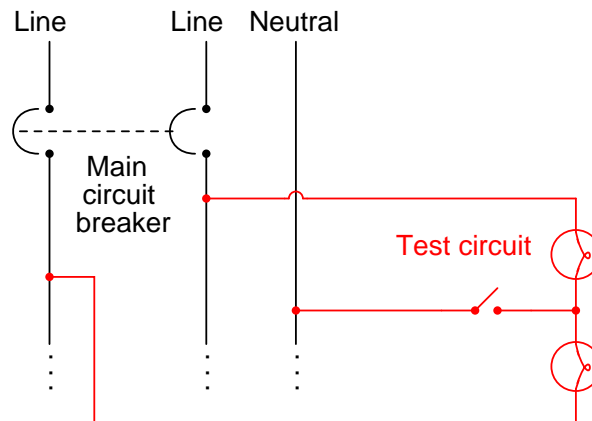
Question 9

Suppose you are working on the power wiring inside of a home, and are wondering whether or not the home is supplied with 3-phase or single-phase power. You do not have a voltmeter available to measure voltage, but you do have plenty of light bulbs, switches, wires, and other standard residential wiring components available for use.

The two possibilities for this home's power source are shown here, the coils representing secondary windings of the utility power transformer:



An experienced electrician suggests you build the following circuit to test whether or not the home's power is supplied by a 3-phase source or a single-phase source:



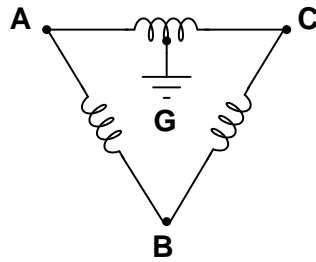
The electrician tells you to open and close the switch, and observe the brightness of the light bulbs. This will indicate whether or not the system is 3-phase.

Explain how this circuit works. What sort of light bulb behavior would indicate a 3-phase source? What sort of light bulb behavior would indicate a single-phase source?

[file 00413](#)

Question 10

This Delta-connected three-phase power source provides three different voltage levels: 120 V, 208 V, and 240 V. Determine which points of connection provide these voltages:



[file 01058](#)

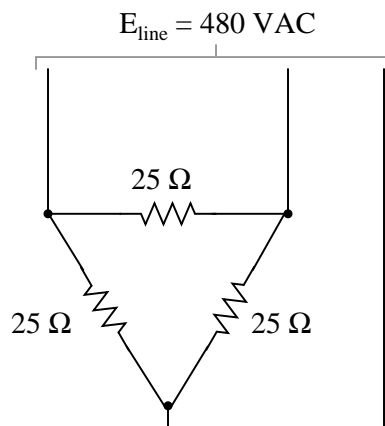
Question 11

Explain the difference between a *balanced* polyphase system and an *unbalanced* polyphase system. What conditions typically cause a polyphase system to become unbalanced?

[file 00418](#)

Question 12

The line voltage to this three-phase load is 480 volts. How much power (total) is dissipated by the load? How much current is there in each line supplying the load?

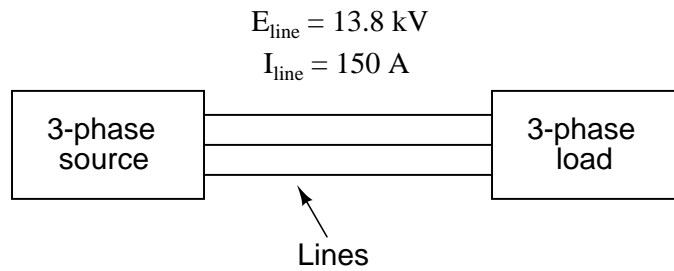


One more question: write an equation for calculating power in a balanced, three-phase circuit, given line voltage and line current only.

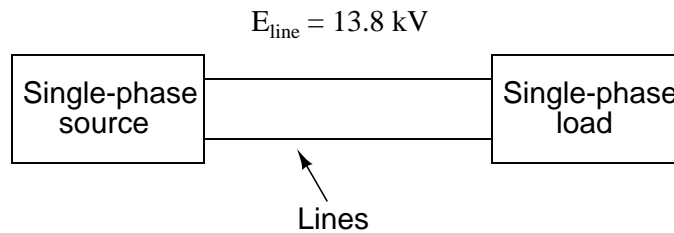
[file 00421](#)

Question 13

A balanced, three-phase power system has a line voltage of 13.8 kV volts and a line current of 150 amps. How much power is being delivered to the load (assuming a power factor of 1)?



A 13.8 kV single-phase system could be designed to provide the same amount of power to a load, but it would require heavier-gauge (more expensive!) conductors. Determine the extra percentage of expense in wire cost (based on the weight of the wires) resulting from the use of single-phase instead of three-phase.



file 00414

Question 14

Calculate the full-load line current for a three-phase motor, given a horsepower rating of 150 HP, an efficiency of 93%, and a line voltage of 480 volts. Assume a power factor of 0.90 for full-load conditions.

file 00426

Answers

Answer 1

In polyphase systems, there are multiple voltages phase-shifted apart from each other so as to be intentionally "out of step."

Answer 2

Generating and distributing AC power in three-phase form is more efficient than if it were done in single-phase form.

Answer 3

Polyphase AC voltages are usually created by special alternators, with different "phase" windings spaced around the circumference of the stator.

Answer 4

The lamps will blink from left to right (**C-B-A-C-B-A**)

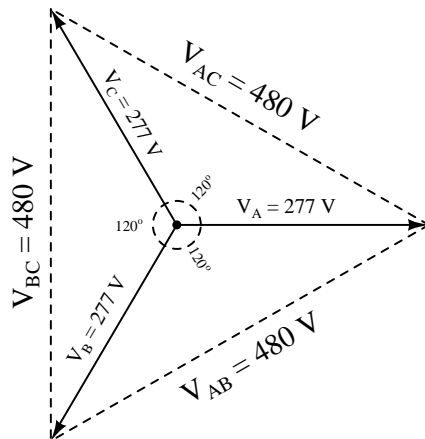
Answer 5

"Phase rotation sequence" refers to the successive order in which the various phase voltages reach their positive peaks.

Answer 6

Phase voltage = 277 volts AC (given)

Line voltage = $V_{AB} = V_{BC} = V_{AC} = 480$ volts AC



Follow-up question: what is the ratio between the line and phase voltage magnitudes in a Y-connected three-phase system?

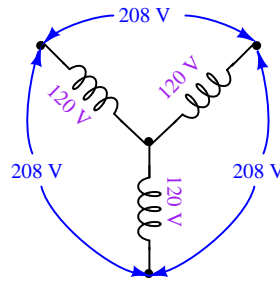
Answer 7

Phase current = 17 amps AC (given)

Line current = $I_A = I_B = I_C = 29.4$ amps AC

Follow-up question: what is the ratio between the line and phase current magnitudes in a Delta-connected three-phase system?

Answer 8



Answer 9

On a single-phase system, there should be no change in light bulb brightness as the switch is opened and closed. On a three-phase system, there will be a change in brightness between the two different switch states (I'll let you figure out which switch state makes the light bulbs glow brighter!).

Answer 10

$$V_{AB} = V_{BC} = V_{AC} = 240 \text{ volts}$$

$$V_{AG} = V_{CG} = 120 \text{ volts}$$

$$V_{BG} = 208 \text{ volts}$$

Answer 11

A "balanced" polyphase system is one where all line voltages are equal to each other, and all line currents are also equal to each other. "Unbalanced" conditions usually stem from unsymmetrical loads, although severe imbalances may be caused by faults in the system.

Answer 12

$$P_{total} = 27.648 \text{ kW}$$

$$I_{line} = 33.255 \text{ A}$$

I'll let you derive your own equation for power calculation.

Answer 13

$$P_{load} = 3.59 \text{ MW}$$

A single-phase system operating at 13.8 kV would require at least 1/0 ("one-ought") gauge copper conductors to transmit 3.59 MW of power. A three-phase system operating at the same voltage would require at least #2 gauge copper conductors.

Answer 14

$$I_{line} = 160.81 \text{ amps}$$

Notes

Notes 1

Although the rationale for polyphase electrical power may not be apparent from either the question or the given answer, your students need to be aware of its existence.

Notes 2

Please do not accept the given answer as a student response! This answer is very shallow, not communicating much meaning. Ask your students to explain *why* polyphase power systems enjoy greater efficiencies than monophasic power systems. There is more than one correct answer to this question!

Notes 3

An illustration of polyphase alternator construction would be excellent to aid understanding of this concept. Your students should have no trouble finding illustrations of three-phase alternator design from textbooks and from the internet.

Notes 4

This question is really a prelude to discussing *phase rotation* in polyphase systems.

Notes 5

Ask your students how the phase rotation sequence of a three-phase system is typically denoted. What symbols are used to describe the direction in which the phase voltages "rotate"?

Notes 6

Students will quickly discover that $\sqrt{3}$ is the "magic number" for practically all balanced three-phase circuit calculations!

It should be noted that although the *magnitudes* of V_{AB} , V_{BC} , and V_{AC} are equal, their phasor angles are most definitely not. Therefore,

$$V_{AB} = V_{BC} = V_{AC} \quad \text{Scalar values equal}$$

$$\mathbf{V}_{AB} \neq \mathbf{V}_{BC} \neq \mathbf{V}_{AC} \quad \text{Vectors unequal}$$

Notes 7

Students will quickly discover that $\sqrt{3}$ is the "magic number" for practically all balanced three-phase circuit calculations!

It should be noted that although the *magnitudes* of I_A , I_B , and I_C are equal, their phasor angles are most definitely not. Therefore,

$$I_A = I_B = I_C \quad \text{Scalar values equal}$$

$$\mathbf{I}_A \neq \mathbf{I}_B \neq \mathbf{I}_C \quad \text{Vectors unequal}$$

Notes 8

Many students are confused by this when seeing it for the first time. How is it possible to measure voltage between two points in a circuit and obtain 208 volts, when the two series-connected voltage sources between those two points are 120 volts each? Why isn't it 240/120 volts instead?

The answer to this question, of course, is *phase shift*: the answer to most "strange" phenomenon in AC circuits!

Notes 9

The subject of this question is closely related to the subject of "single-phasing" a polyphase load as the result of a line conductor opening. In this case it is the neutral conductor we are intentionally opening, but the results are similar.

Notes 10

Despite the fact that this connection scheme is quite common in industry, I have found little reference to it in textbooks. The equilateral layout of the windings in this diagram facilitates graphical (phasor) analysis of the voltages, providing students with the opportunity to exercise their knowledge of trigonometry.

Notes 11

Ask your students which type of three-phase system (balanced or unbalanced) is easier to analyze, and why that is so.

Notes 12

Now, students will surely be able to find a power equation from textbooks, but the purpose of this question is to have them derive it themselves. In a single-phase, resistive AC circuit, power is given by the equation $P = IE$, just as in DC circuits. However, if you multiply the line voltage by line current, you do not get the correct answer of 27.648 kW. So, obviously, the equation of $P = IE$ will require some modification for calculating total three-phase power. However, this modification is not complicated to perform.

Notes 13

This question is good for provoking discussion on the practical, cost-saving benefits of three-phase power systems over single-phase. Your students will have to do some "review" research on wire gauges and weights, but the exercise is well worth it.

Notes 14

Several conversions are necessary to calculate the answer for this question. As usual, the purpose of this question is not so much to obtain an answer, as it is to develop students' problem-solving skills. How did students approach this problem? Did any of them think of ways to simplify the problem so that it could be solved in incremental steps instead of all at once? If so, what was their method(s) of solution?